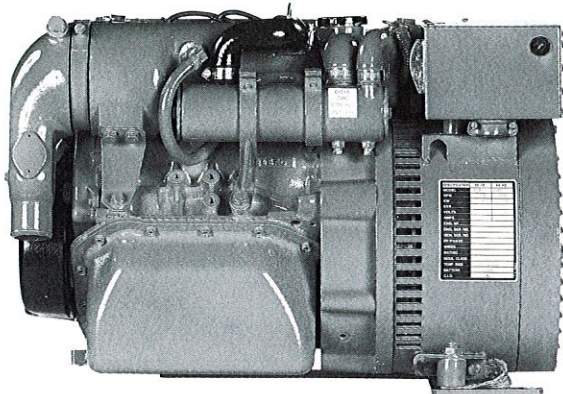


Extremely compact, 1800-rpm smooth & quiet Introducing the new Low Profile 7.0 BCGC



7.0 BCGC Marine Gasoline Generator

The Most Compact 7.0 kW Available

The 1800-rpm 7.0 BCGC gasoline generator has the smallest envelope available.

Quiet

The 7.0 BCGC operates at a quiet 1800-rpm. So quiet, it does not require a sound enclosure.

Smooth Operation

Operating with 3-cylinders and a balance shaft that virtually eliminates vibration, the 7.0 BCGC is an extremely smooth running generator set.

Durable and Reliable

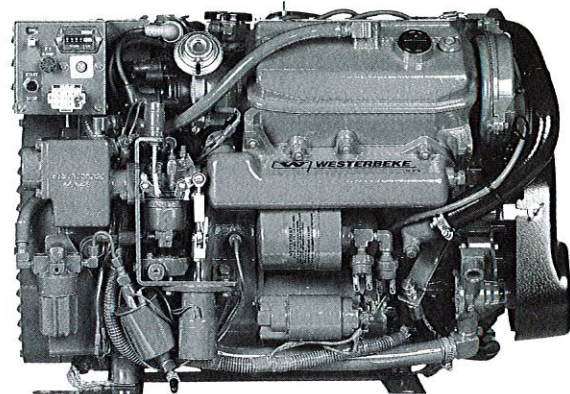
The 7.0 BCGC runs at 28% of its maximum engine speed, so the owner can expect more durability and reliability.

Easy Maintenance

To minimize engine maintenance, the 7.0 BCGC is fresh water cooled and equipped with a simple control system. Easy access to servicing points allows easy installation and routine maintenance.

Five Year Limited Warranty

The 7.0 BCGC is backed by Westerbeke's 5-year limited warranty. The presence of Westerbeke in over 65 countries around the world provides customers with easy access to parts, service and technical support worldwide. Established in 1937, Westerbeke is committed to providing its customers with quality products and unequalled after sales support.



7.0 BCGC Marine Gasoline Generator

Standard Features

- Simple start/stop control panel with running hour meter
- Electronic governing
- Overspeed protection
- Safety shut-downs — high coolant temperature, low oil pressure, high exhaust temperature
- Generator field adjustable to 50 or 60Hz
- A.C. circuit breaker
- Battery charger
- Fresh water cooling and coolant recovery tank
- 90° water injected exhaust elbow
- Belt-driven, raw water pump
- Vibration mounts
- Lube oil drain hose
- Belt guard
- Operators' manual and parts list
- "CE" mark
- CARB certified
- EPA certified
- Meets U.S.C.G. regulation 33CFR-183



Optional Spare Parts Kit

Kit contents, as shown, may not correspond to the generator pictured.

Generator Design

DESIGN: Brushless, four pole, revolving field.
VOLTAGE REGULATION: Standard +/- 5% no load to full load.
FREQUENCY REGULATION: .5 Hz (.58%) no load to full load.
INSULATION: Class "H" as defined by NEMA MG1-1.66.

TEMPERATURE RISE: Within NEMA MG1-22.40 operating at full load.
COOLING: Cast centrifugal blower, direct connected.
ELECTROMAGNETIC INTERFERENCE LEVEL: Exceeds requirements for most marine radio-telephones and standard TVs.

Model	Electrical Characteristics					Ratings		Engine	
	Volts	Amps	Hertz	Phase	Wire	Power Factor	KW	RPM	Start
7.0 BCGC-614	120	58.3	60	1	4	1.0	7.0	1800	Remote
5.9 BCGC-514	230	25.6	50	1	4	1.0	5.9	1500	Remote

Specifications

Number of cylinders 3 cylinder, vertical in-line
 Type 4 cycle
 Displacement 40.3 cu. in. (.66 liter)
 Bore and stroke 2.56" x 2.61" (65.0mm x 66.3mm)
 Compression ratio 9.8:1
 Rated rpm 60 Hz – 1800 rpm
 50 Hz – 1500 rpm
 HP @ 1800/1500 rpm 8.0/6.5 HP
 Maximum angle of operation Not to exceed 25° in all directions
 Exhaust elbow conn. 2.0" OD (50.8mm)
 Raw water conn. 0.75" OD (19.05mm)
 Dry weight 338 lbs (153.3 kg)
 Combustion system Semi-spherical type
 Aspiration Naturally aspirated
 Lubrication system Forced pump
 Cooling system 3 quarts (2.8 liter)
 Full load fuel consumption .86 GPH (3.26 LPH) @ 1800 rpm
 .72 GPH (2.73 LPH) @ 1500 rpm
 Carburetor Side draft type
 Governor Electronic
 Lube oil filter Full flow, spin on element
 Lubricant capacity 2.5 quarts (2.4 liters)

Fuel transfer pump Electric type
 Fuel supply piping .25" ID (6.35mm)
 Starting motor 12 volt, 1.4 kW
 Battery charging 17 amps, integral electric type
 Cold cranking amps 105 amps @ 70 degrees F
 Electrical system 12 volts DC, negative ground

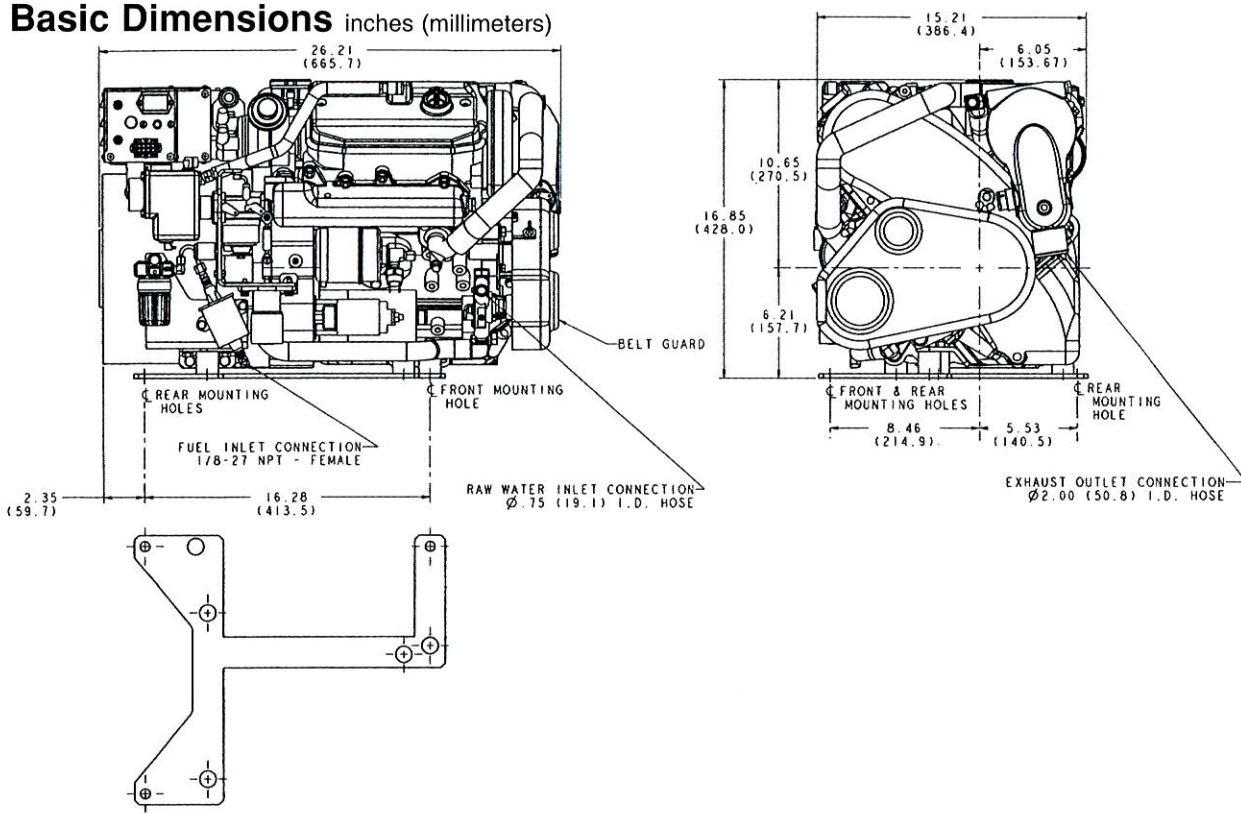
Construction – Engine Components

Cylinder head Aluminum
 Cylinder block Cast Iron
 Crankshaft Forged crankshaft, four main bearings
 Valves Overhead, rotating type
 Fuel System Carbureted w/U.S.C.G. approved flame arrestor
 Cooling system Fresh water-cooled with heat exchanger
 Exhaust manifold Cast aluminum, fresh water-cooled

Optional Equipment

Remote start-stop panel
 Ship-shore switch
 Hydro-hush muffler and fittings
 "A" on-board spare parts kit; "B" extended cruising spare parts kit
 Anti-siphon valve for overboard cooling water discharge
 Technical Manual

Basic Dimensions inches (millimeters)



Drawings are for reference only and should not be used for installation. Detailed installation drawings are available upon request.